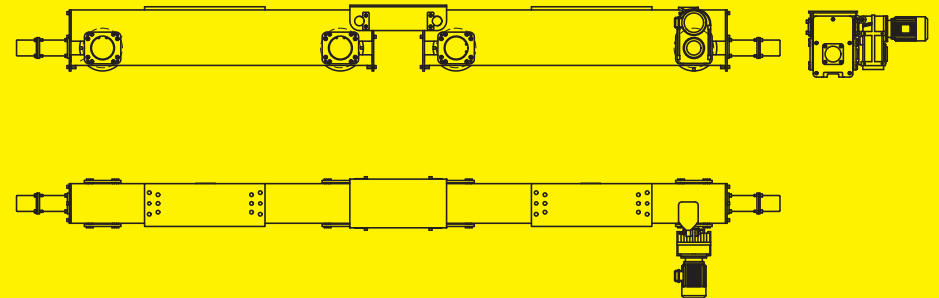




End Carriages Sales Manual



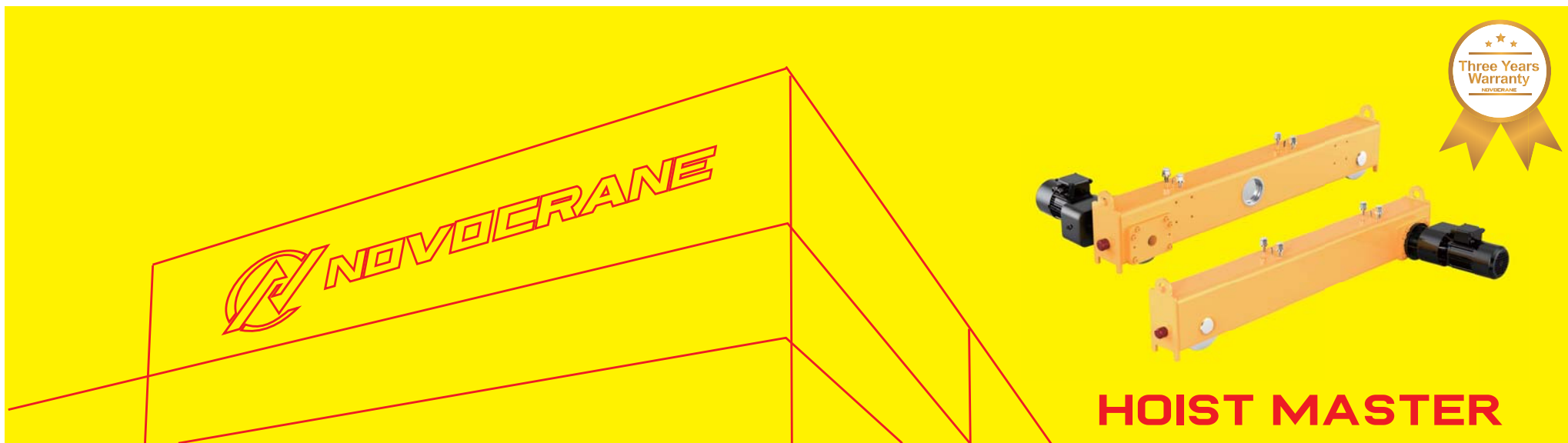
Novocrane (Suzhou) Co., Ltd.

No.1288 Pangjin Road, Wujiang Economic Development
Zone, Suzhou (215200)
Tel: +86-512-6312 0889
Fax: +86-512-6312 0886
E-mail: sales@novocrane.com
Sales Hotline: 400 110 1833



WeChat Official Account

www.novocrane.com



About us

Novocrane (Suzhou) Co., Ltd. is an advanced professional manufacturer and service provider of electric hoists, which inherits the advanced German product design concept, perfect technological process and strict quality management, committed to providing cost-effective products with reliable quality and good performance to users. Products mainly include NCH electric chain hoists, NWH electric wire rope hoists, NDR electric clean room hoists, electric explosion-proof hoists, flexible-girder cranes, jib cranes, and crane kits, which are widely used in equipment manufacturing, automobile industry, transportation and logistics, energy industry, metallurgy, shipbuilding, and many other fields. Novocrane puts advanced design and application concepts into practice, and provides lifting equipment with light dead weight, low headroom, safety and reliability, excellent performance and efficient operation to customers.

Adhering to the mission of being close to users and the market, Novocrane has maintained long-term close cooperative relationship with well-known domestic and foreign enterprises, academic institutions, and industry experts, can quickly understand the development and application of new technologies in this industry, and guide the technological development of the electric hoist industry. At the same time, Novocrane continues to invest in product research and development every year, guide the market trend through technological innovation, gain the trust of customers through the pursuit of quality, and let the products maintain unique advantages in the market. Novocrane focuses on the production of electric hoists from 50kg to 100t, light cranes and crane components, which can meet customers' requirements on various working conditions and provide customers with excellent solutions. Novocrane has established long-term cooperative relationships with major crane companies in China, from various perspectives such as providing technical solutions, technical exchanges and product delivery, and ultimately providing users with one-stop services.

With the more and more widely use of electric hoists, the operation content and working conditions of electric hoists have been differentiated in detail and pertinent, and various special electric hoists have emerged to meet the individual needs of different market segments. Novocrane understands customers' needs in depth, and has developed and manufactured advanced clean room electric hoists which are special for high-level clean application environments, which meets users' special requirements on equipment, environment and use. As an innovator and pioneer in the segmented field of electric hoists, we are always willing to understand the needs of our customers, take the initiative to innovate to meet the needs of our customers, and accumulate rich experience in segmented market applications at the same time, Novocrane will keep being committed to inject new vitality into the electric hoist industry.



Research and Development Innovation

Focusing on customers' needs, Novocrane keeps innovating on technology, products, solutions and businesses, actively explores the intelligent material handling market, realizes the integration of industrialization and informatization, accelerates the R&D and promotion of new products, and promotes the upgrading and transformation of the industry to automation and intelligence, ushering the new era of industrial manufacturing and security upgrades, and helping the new development of material handling equipment.

Novocrane keeps increasing investment in research and development, advocates the goal of green manufacturing, high efficiency and reliability, and continues to create value for customers. So far, Novocrane has 87 patents of various categories, which have been recognized as high-tech enterprises in Jiangsu Province, product design won the Suzhou Industrial Design Product Excellence Award. Providing customers with excellent products and intelligent solutions. The safety and production efficiency of the electric hoist in operation are improved, and the maintenance is more convenient, which is highly recognized by domestic and foreign users.



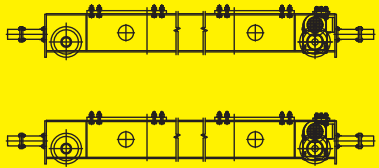
Excellent Quality

Novocrane was established in 2008 with a registered capital of more than 60 million. In 2010, Novocrane established its headquarters and manufacturing base in Wujiang Economic Development Zone, covering an area of 25,000 square meters, with a production capacity of 15,000 units per year.

Novocrane has passed the TUV ISO9001 quantity management system certification, ISO14001 environmental management system certification and obtained these certificates. Main products have passed the EU CE system certification. Advanced management system, excellent R&D capability, perfect quality assurance system and advanced testing tools enable Novocrane to provide customers with very competitive high-quality and high-performance products.



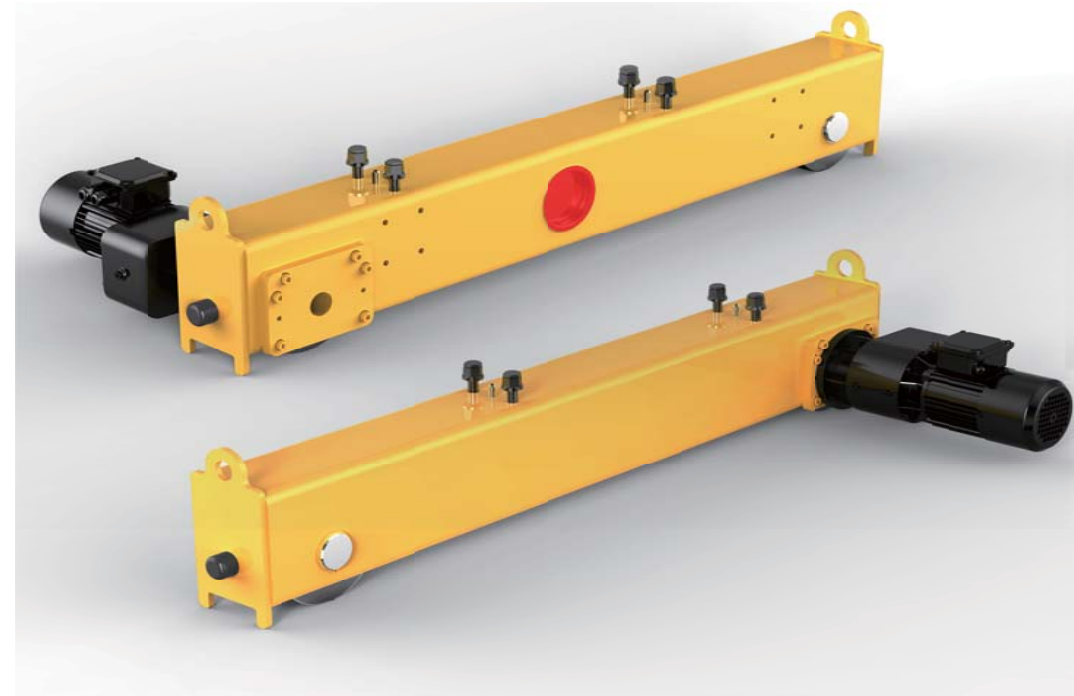
NOVOCRANE NGS



Contents

End Carriages

- Crane End carriages and Bridge Panel
- GS12 Crane End carriages and Bridge Panel
- GS16 Crane End carriages and Bridge Panel
- GD16 Crane End carriages and Bridge Panel
- GS20 Crane End carriages and Bridge Panel
- GD20 Crane End carriages and Bridge Panel
- GB20 Crane End carriages and Bridge Panel
- GS25 Crane End carriages and Bridge Panel
- GD25 Crane End carriages and Bridge Panel
- GB25 Crane End carriages and Bridge Panel
- GB32 Crane End carriages and Bridge Panel

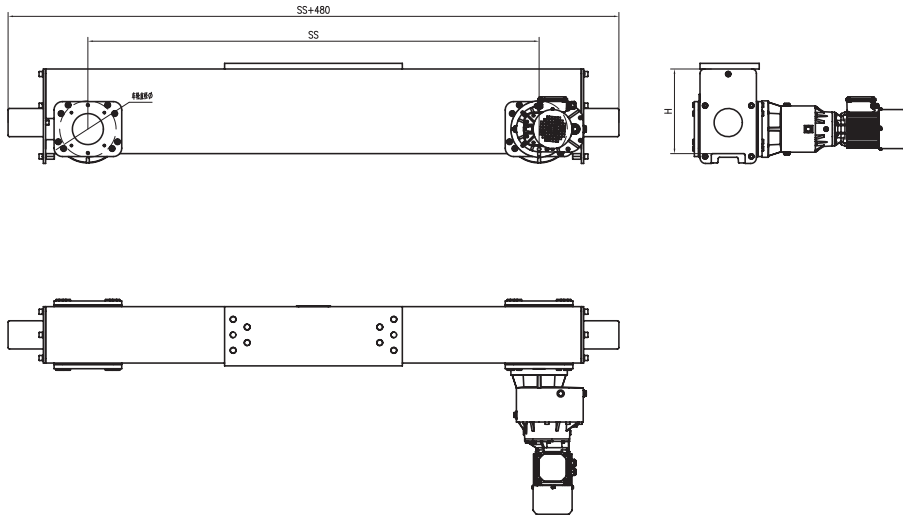
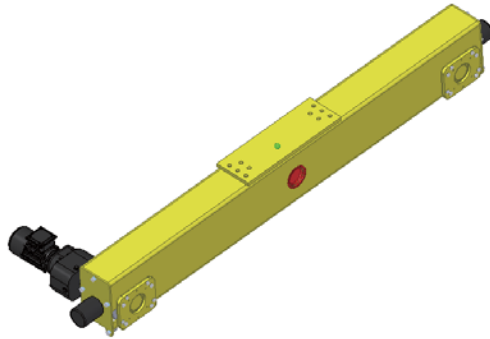


NGS Crane End Carriages Code

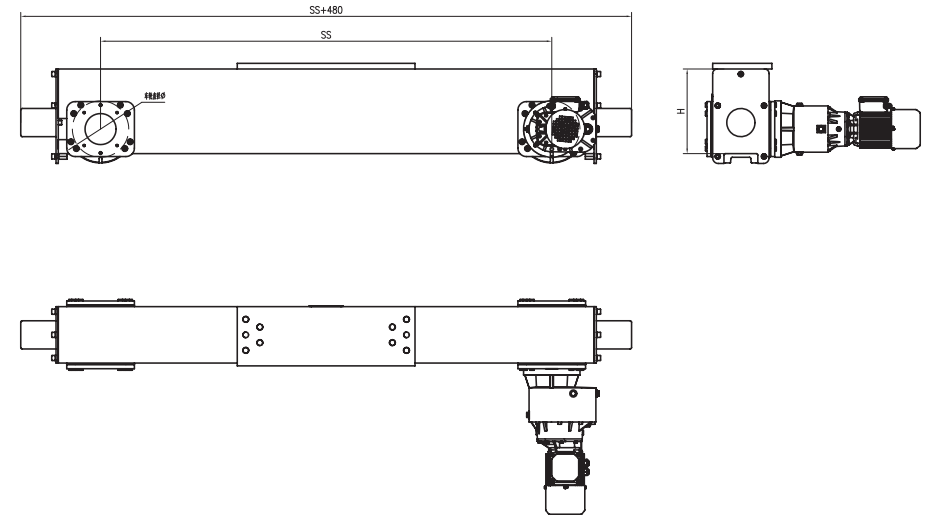
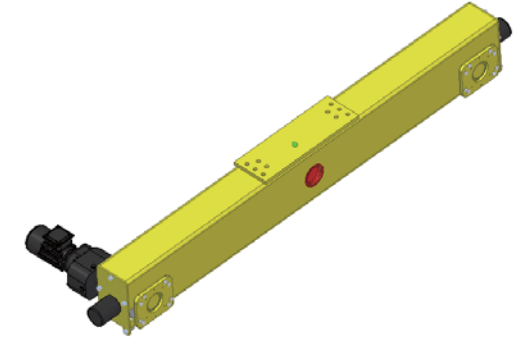
GS	12	18
-----------	-----------	-----------

No.	Code	Description	Parameter
	GS	End Carriages Type	"GS"= Single Girder, "GD"= Double Girder, "GB"= Bogie Girder
	12	Wheel Groove Diameter	"Numerical Value" x 10 (mm)
	18	Wheel Base	"Numerical Value" x 100 Bogie For Bogie Girder, it refers to the wheel base of 2 wheels on the outermost side of the End Carriages

GS12 End Carriages



GS16 End Carriages



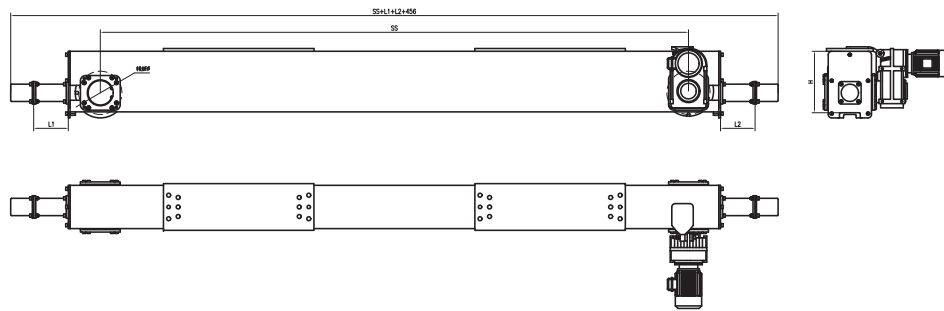
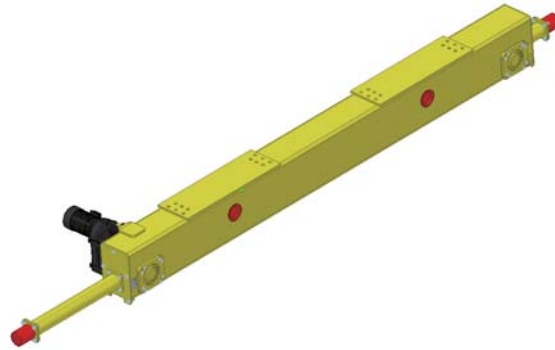
Product Parameter

Wheel Diameter (mm)	End Carriages Model	Wheelspan(SS) (mm)	Height(H) (mm)	Applicable Crane Model	Weight (kg)
125	GS1218	1800	200	HS3.2-10.5-6 A5	131
125	GS1222	2200	200	HS3.2-13.5-6 A5	148
125	GS1227	2700	250	HS3.2-16.5-6 A5	189

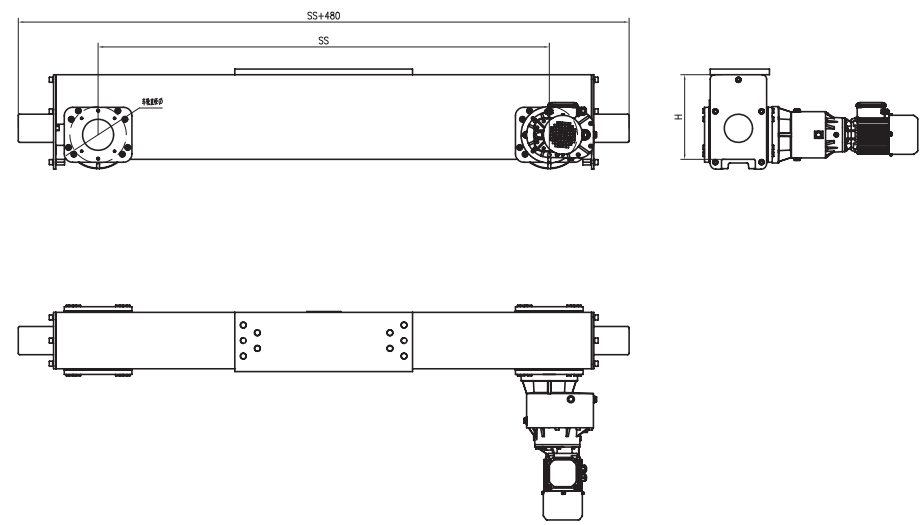
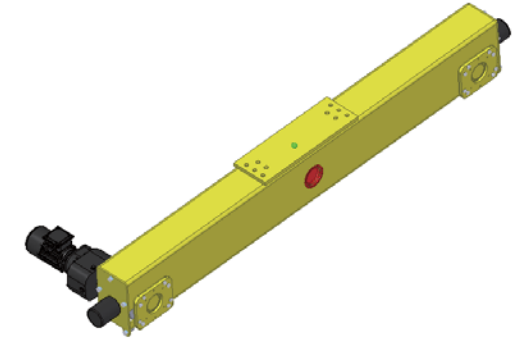
Product Parameter

Wheel Diameter (mm)	End Carriages Model	Wheelspan(SS) (mm)	Height(H) (mm)	Applicable Crane Model	Weight (kg)
160	GS1618	1800	200	HS5-10.5-6 A5	167
160	GS1622	2200	250	HS5-13.5-6 A5 HS10-10.5-6 A5	201
160	GS1627	2700	250	HS5-16.5-6 A5	225
160	GS1631	3100	250	HS3.2-19.5-6 A5 HS3.2-22.5-6 A5	242

GD16 End Carriages



GS20 End Carriages



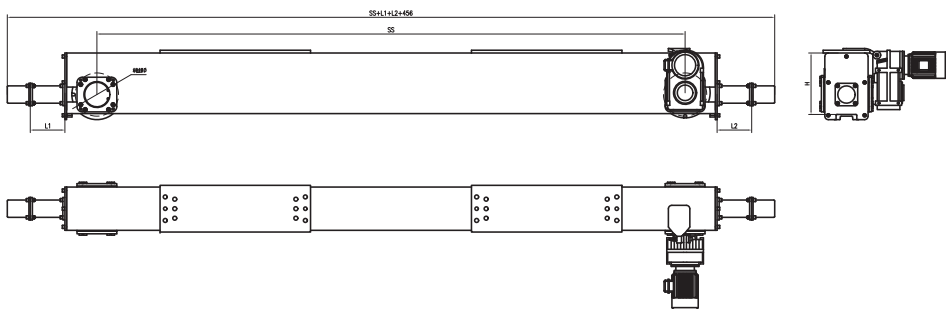
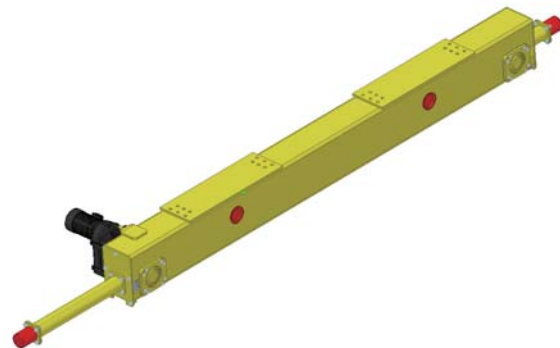
Product Parameter

Wheel Diameter (mm)	End Carriages Model	Wheelspan(SS) (mm)	Height(H) (mm)	Applicable Crane Model	Weight (kg)
160	GD1628	2800	250	HD5-10.5-6 A5 HD5-13.5-6 A5	239

Product Parameter

Wheel Diameter (mm)	End Carriages Model	Wheelspan(SS) (mm)	Height(H) (mm)	Applicable Crane Model	Weight (kg)
200	GS2022	2200	300	HS10-13.5-6 A5	291
200	GS2027	2700	350	HS10-16.5-6 A5	341
200	GS2031	3100	350	HS10-19.5-6 A5 HS10-22.5-6 A5	367
200	GS2038	3800	350	HS5-25.5-6 A5	477
200	GS2041	4100	350	HS5-28.5-6 A5	567

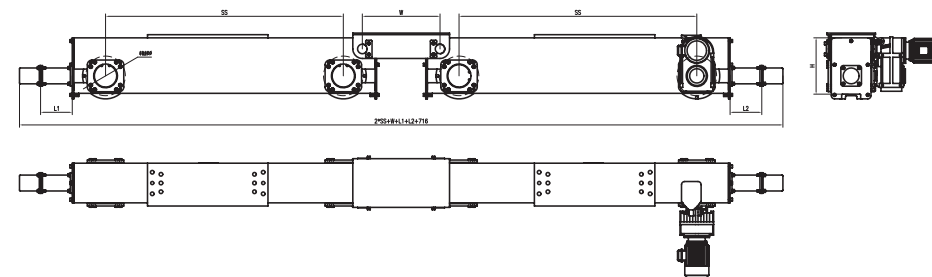
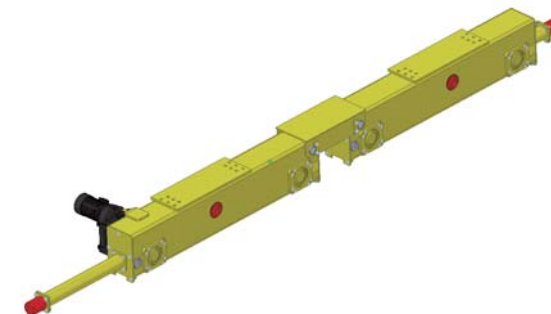
GD20 End Carriages



Product Parameter

Wheel Diameter (mm)	End Carriages Model	Wheelspan(SS) (mm)	Height(H) (mm)	Applicable Crane Model	Weight (kg)
200	GD2028	2800	350	HD5-16.5-6 A5 HD5-19.5-6 A5	374
200	GD2031	3100	350	HD5-22.5-6 A5	394
200	GD2038	3800	350	HD5-25.5-6 A5	510
200	GD2041	4100	350	HD5-28.5-6 A5	535

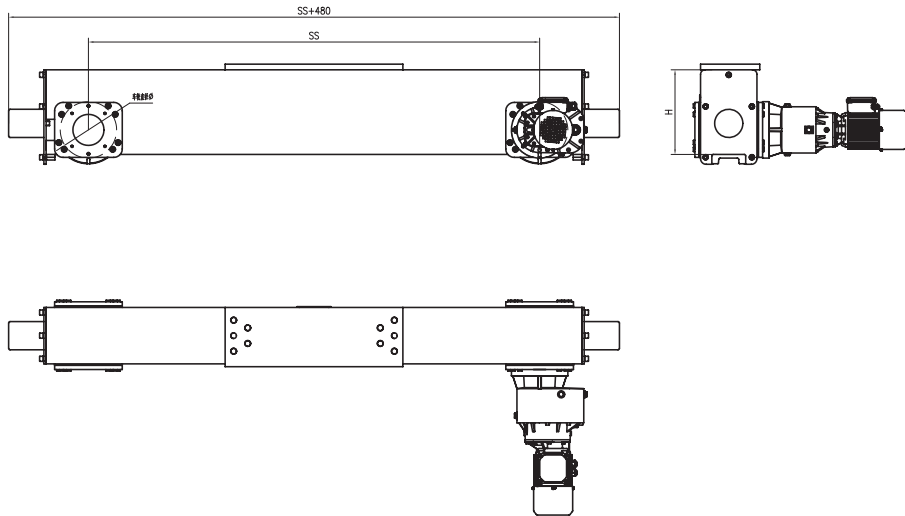
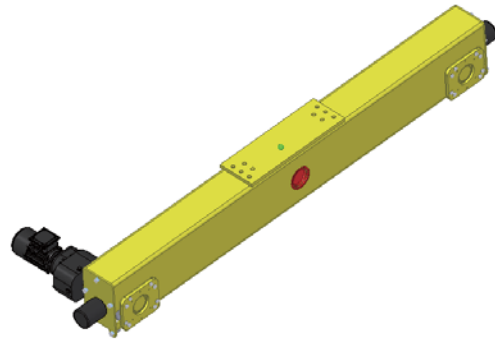
GB20 End Carriages



Product Parameter

Wheel Diameter (mm)	End Carriages Model	Wheelspan(SS) (mm)	Height(H) (mm)	Applicable Crane Model	Weight (kg)
200	GB2012	1200	300	HD25-10.5-6 A5 HD25-13.5-6 A5 HD32-10.5-6 A5 HD32-13.5-6 A5	472
200	GB2014	1400	300	HD16-25.5-6 A5 HD20-22.5-6 A4 HD25-16.5-6 A5 HD25-19.5-6 A5 HD25-22.5-6 A5 HD32-16.5-6 A5 HD32-19.5-6 A5	504
200	GB2018	1800	300	HD10-31.5-6 A5 HD16-28.5-6 A5 HD16-31.5-6 A5 HD20-25.5-6 A4 HD20-28.5-6 A4 HD20-31.5-6 A4 HD25-25.5-6 A5 HD25-28.5-6 A5 HD25-31.5-6 A5	620
200	GB2020	2000	300	HD16-34.5-6 A5 HD20-34.5-6 A4	658

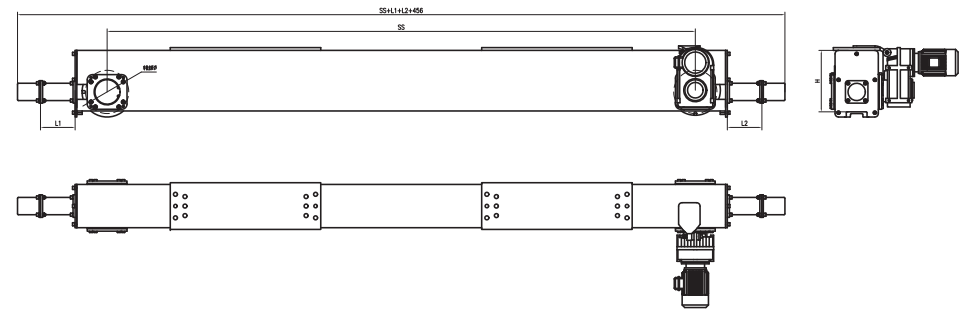
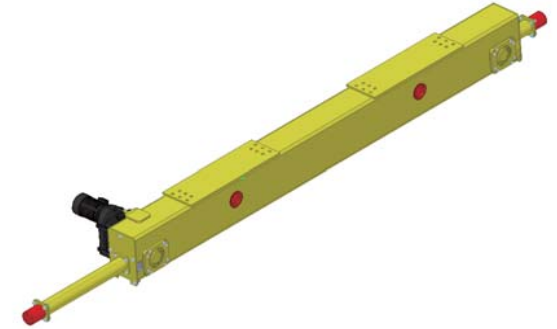
GS25 End Carriages



Product Parameter

Wheel Diameter (mm)	End Carriages Model	Wheelspan(SS) (mm)	Height(H) (mm)	Applicable Crane Model	Weight (kg)
250	GS2538	3800	350	HS10-25.5-6 A5	665
250	GS2541	4100	350	HS10-28.5-6 A5	697

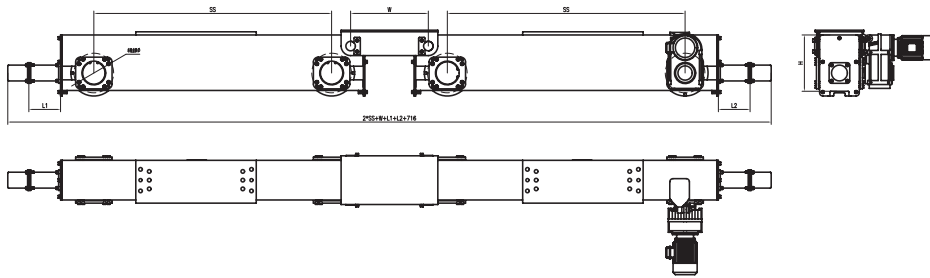
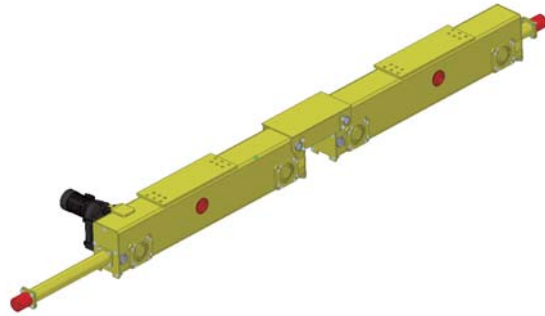
GD25 End Carriages



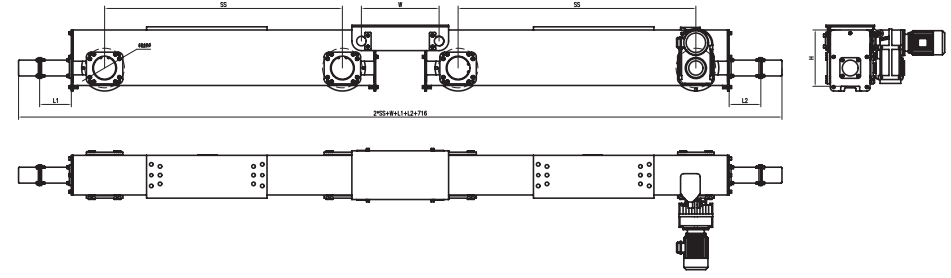
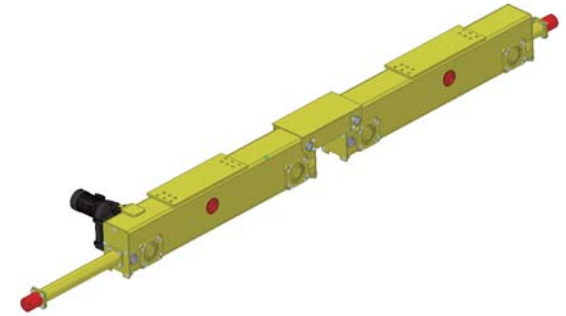
Product Parameter

Wheel Diameter (mm)	End Carriages Model	Wheelspan(SS) (mm)	Height(H) (mm)	Applicable Crane Model	Weight (kg)
250	GD2528	2800	350	HD16-10.5-6 A5 HD16-13.5-6 A5 HD16-16.5-6 A5 HD20-10.5-6 A4 HD20-13.5-6 A4	521
250	GD2531	3100	350	HD10-22.5-6 A5 HD16-19.5-6 A5 HD20-16.5-6 A4 HD20-19.5-6 A4	548
250	GD2534	3400	350	HD16-22.5-6 A5	574
250	GD2538	3800	350	HD10-25.5-6 A5	680
250	GD2541	4100	350	HD10-28.5-6 A5	712
250	GD2545	4500	400	HD5-31.5-6 A5	820

GB25 End Carriages



GB32 End Carriages



Product Parameter

Wheel Diameter (mm)	End Carriages Model	Wheelspan(SS) (mm)	Height(H) (mm)	Applicable Crane Model	Weight (kg)
250	GB2514	1400	350	HD40-10.5-6 A4 HD40-13.5-6 A4 HD40-16.5-6 A4 HD40-19.5-6 A4	693
250	GB2518	1800	350	HD32-22.5-6 A5 HD32-25.5-6 A5 HD32-28.5-6 A5 HD32-31.5-6 A5 HD40-22.5-6 A4	839
250	GB2520	2000	350	HD32-34.5-6 A5	887

Product Parameter

Wheel Diameter (mm)	End Carriages Model	Wheelspan(SS) (mm)	Height(H) (mm)	Applicable Crane Model	Weight (kg)
320	GB3214	1400	400	HD50-10.5-6 A5	1011
320	GB3216	1600	400	HD50-13.5-6 A5 HD50-16.5-6 A5 HD50-19.5-6 A5	1067
320	GB3218	1800	400	HD40-25.5-6 A4 HD40-28.5-6 A4 HD40-31.5-6 A4 HD50-22.5-6 A5 HD50-25.5-6 A5 HD50-28.5-6 A5	1129
320	GB3221	2100	400	HD40-34.5-6 A4 HD50-31.5-6 A5 HD50-34.5-6 A5	1215